

# Solar Garden Light System

## Instructions Manual

### Introduction

Thank you for purchasing a quality unit. Used carefully and in accordance with the instructions set out below, your SOLAR GARDEN LIGHT SYSTEM should give you many years of trouble free use. Please read the instructions carefully to obtain the best results from your purchase.

Your unit features:

- Solar powered by Big size high quality crystalline solar panel
- New under water spotlight
- No Mains Power
- Simple wiring
- Water proof design provides longer life in all weather conditions
- Automatic sensor turns the light on at dusk
- 3 X Solar Rechargeable batteries included
- 1 X light with 3 meters wires, 9 pcs brighter super bright LED
- The light can be put under cover and shade-**anywhere as your want.**

### Location of the SOLAR CONTROLLER

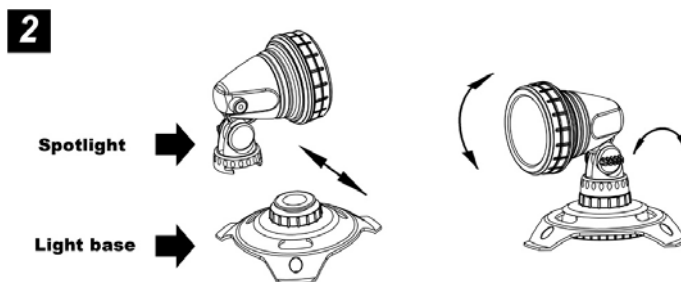
- 1) For the best result, please locate the solar controller in a position where it can get direct sunlight on the solar panel, and generally free from cover and shade. (As shown in figure 1).
- 2) Make sure that the photo sensor is not going to be affected by any other light source. Otherwise the light will not illuminate at dusk.
- 3) The SOLAR CONTROLLER must be left to charge for 2 sunny days before best results are achieved.



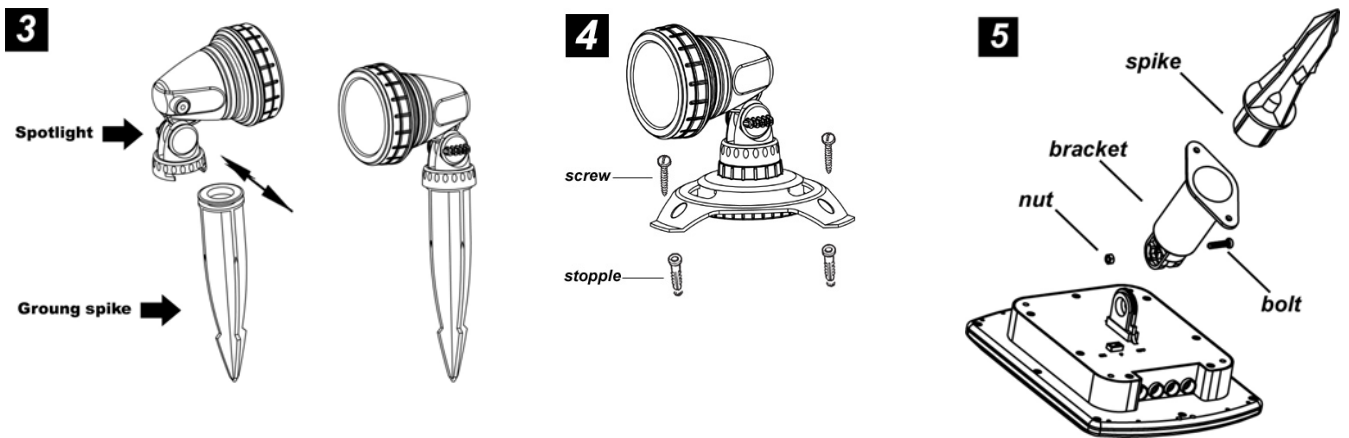
### Assembly Instructions

#### Spotlight Installation

- 1) Carefully remove the UNIT and all the fittings out of the box.
- 2) Insert the Spotlight onto Light Base (as shown in figure 2).
- 3) Adjust the spotting direction by loose the lock under the spotlight (as shown in figure 2).

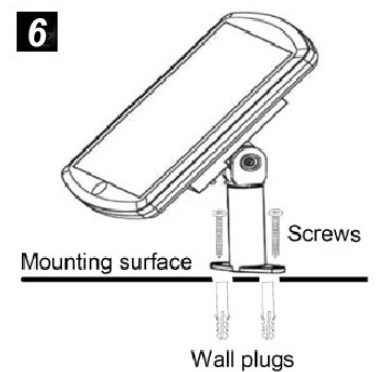


- 4) For ground spike mounting, insert the Spotlight onto Ground Spike (as shown in figure 3).
- 5) When the Spotlight is fixed on Light base, if the light is to be fixed on ground or wall, please use supplied stopple and screws to fix. (as shown in figure 4)



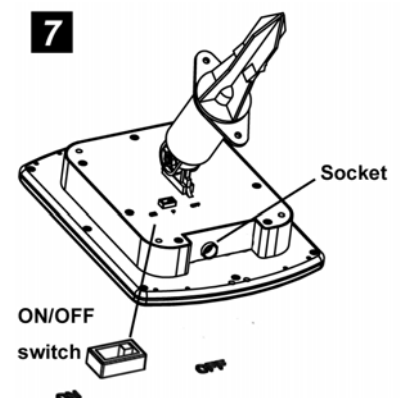
### Solar Panel Instructions

- 1.) Connect the upright support Bracket to the rear of the solar panel using the Nut and Bolt and loosely tighten (as shown in figure 5).
- 2.) Insert the spike into bracket if needed.
- 3.) Choose a suitable location for the solar panel. Choose a location where it will get the maximum amount of light through the whole day but away from areas where it may get kicked and from other sources of light
- 4.) Fixing to a wall use a 4mm masonry drill bit, drill holes to a depth of 32mm and insert wall plugs (as shown in figure 6).
- 5.) If fixing to a wooden surface follow the directions above, but only drill a small pilot hole for each screw and do not use the wall plugs provided
- 6.) Secure the support post and panel to the mounting surface using the screws provided and fully tighten the nut and bolt.



### Wires Connection

Connect the cable into the Socket at the rear of the panel. (as shown in figure 7)



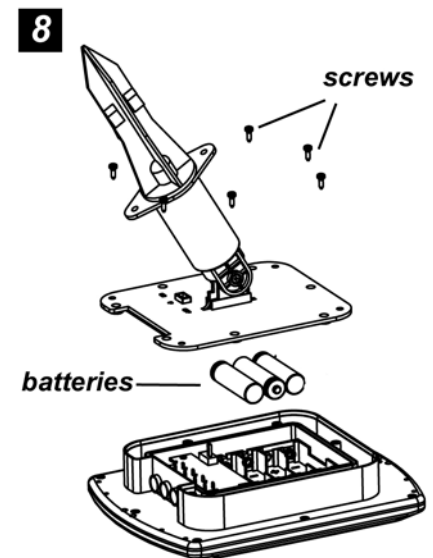
### Operation Instructions

- 1) For daily / normal operation, turn the switch to the “ON” position, it will automatically turn on during the night time after the initial full 2 sunny days charge. (as shown in figure 7)
- 2) The performance of the SOLAR GARDEN LIGHT SYSTEM will vary with the time of year. It will release more light when it has had a full day in the sun rather than a day in overcast weather.

## **Replacing the Batteries**

**For best results batteries should be replaced every 12 months.**

- 1) Move the switch to OFF and unplug the cable.
- 2) Unscrew and remove the screws from the back of the solar panel (as shown in figure 8) and lift off to expose the battery compartment.
- 3) Remove the spent batteries and replace (as shown in figure 8) with ones of a similar type, taking care to observe the correct polarity (alignment of + and -).
- 4) Replace the back of the panel, secure with the screws and reconnect the cable.



## **Trouble Shooting**

**If your SOLAR GARDEN LIGHT SYSTEM does not come on at dusk despite observance of all the instructions, please try the following steps:**

- 1) Make sure that the SOLARCONTROLLER is not being affected by any other light source.
- 2) Ensure the SOLAR CONTROLLER does not stand in the shade during the day.
- 3) Make sure the switch is in the auto position.
- 4) Check that the batteries are installed correctly.

## **Maintenance**

Clean the solar module regularly with a damp towel to guarantee optimum performance of the solar panel. Do not use any type of solvent for cleaning and be careful not to put too much pressure on the module while cleaning.